

## ENVIROSPRAY Component Manual

Rev C (previous ref 06500985B)

Manual Date: August 2019

# ENVIROSPRAY®

## Cannon Control Box HYDEN409-B



# Contents

<b>Reference Number</b>	<b>Topic</b>	<b>Page Number</b>
<b>1</b>	Cannon Box HYDEN409-B	3
<b>1.1</b>	Description	3
<b>1.2</b>	Components	3
<b>1.2.1</b>	Component Identification	3
<b>1.2.2</b>	Component Breakdown	5
<b>1.3</b>	Mounting Details	6
<b>1.4</b>	Electrical Schematic	7
<b>1.5</b>	Hydraulic Schematic	8

# 1 Cannon Box HYDEN409-B

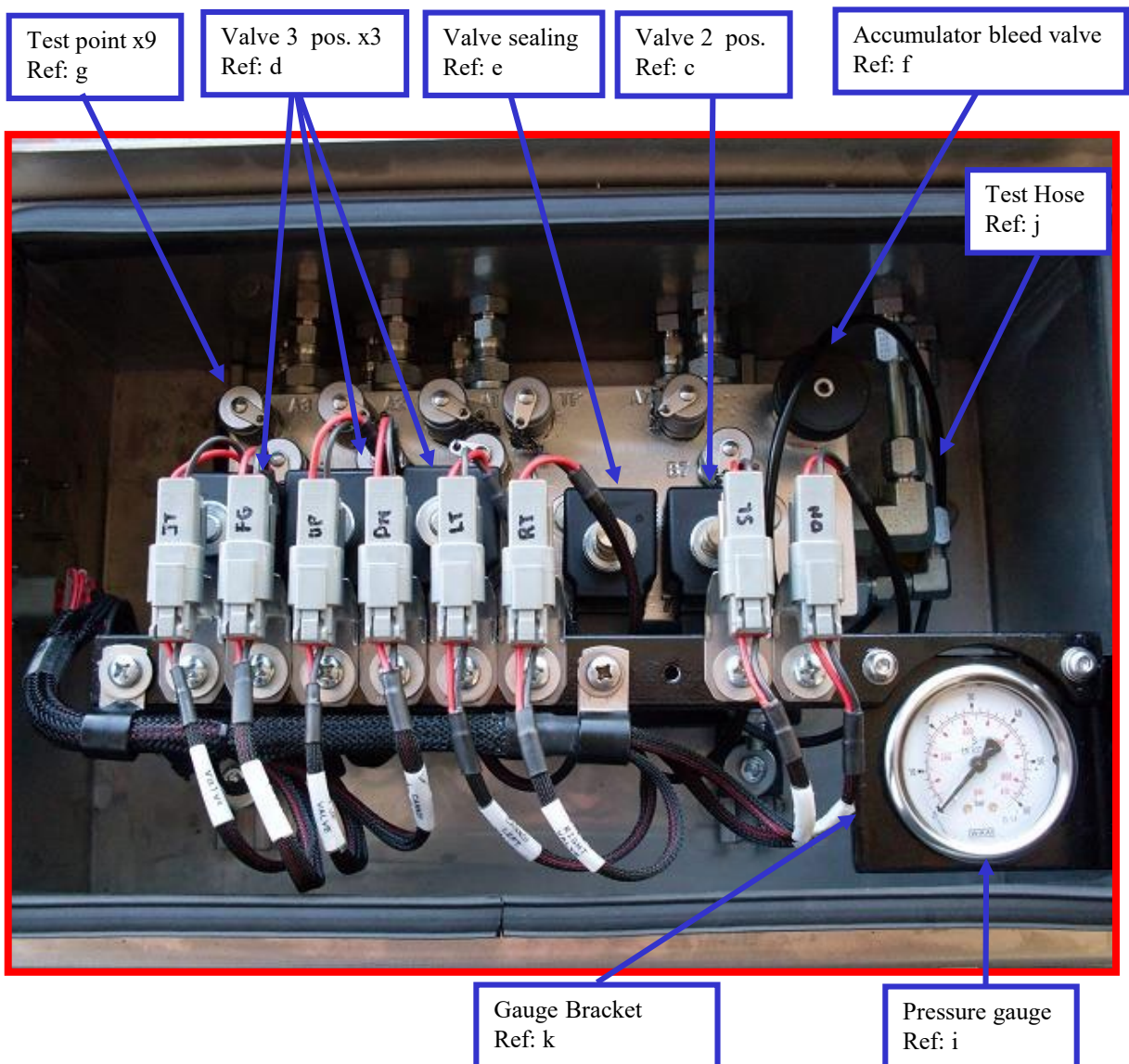
## 1.1 Description

The Enviro-spray™ HYDEN409-B cannon box controls a remotely mounted cannon. The box plays a crucial role in a cannon system as it contains a control valve block that uses coils (engaged by controls in drivers cabin) to hydraulically control the cannon.

## 1.2 Components

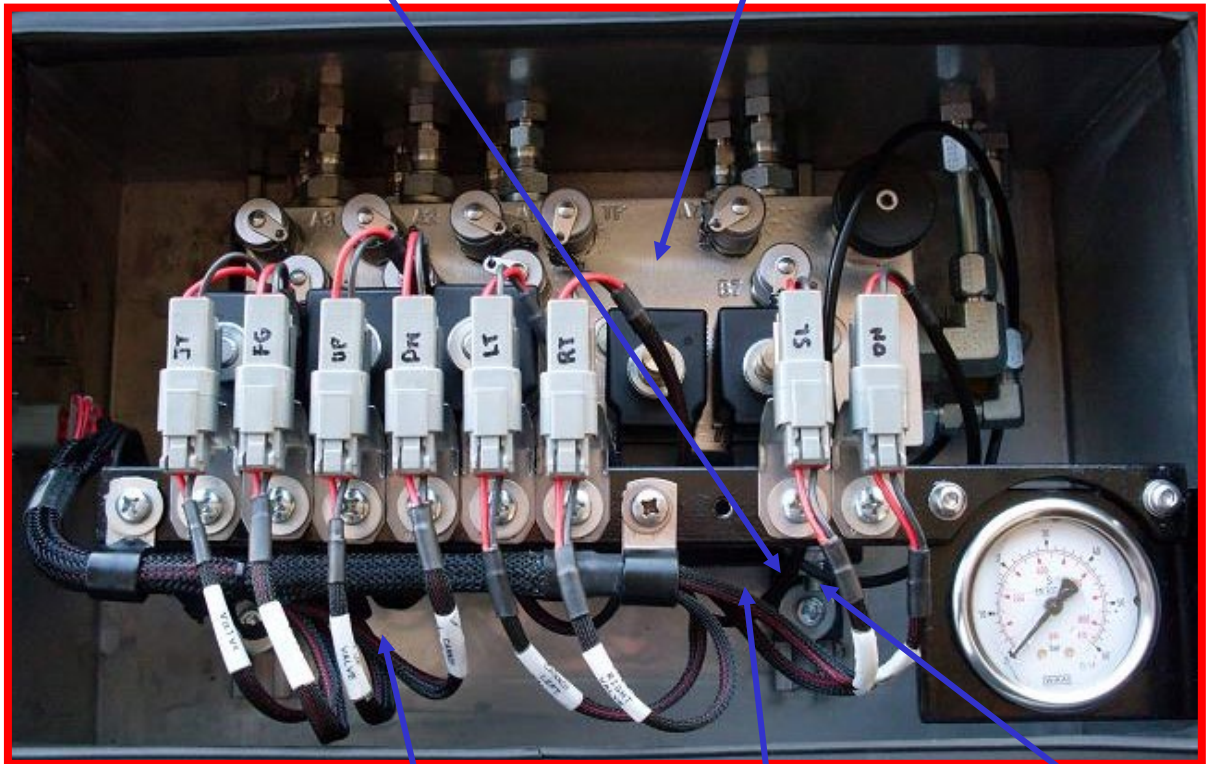
### 1.2.1 Component Identification

The following picture illustrates the components found inside the HYDEN409-B cannon box. Identified are the major components and service type components within the assembly. Part numbers for these components can be found in section 1.2.2 using the references listed below.



Control valve bracket  
Ref: h

Valve manifold complete  
Ref: b



Electrical harness  
Ref: l

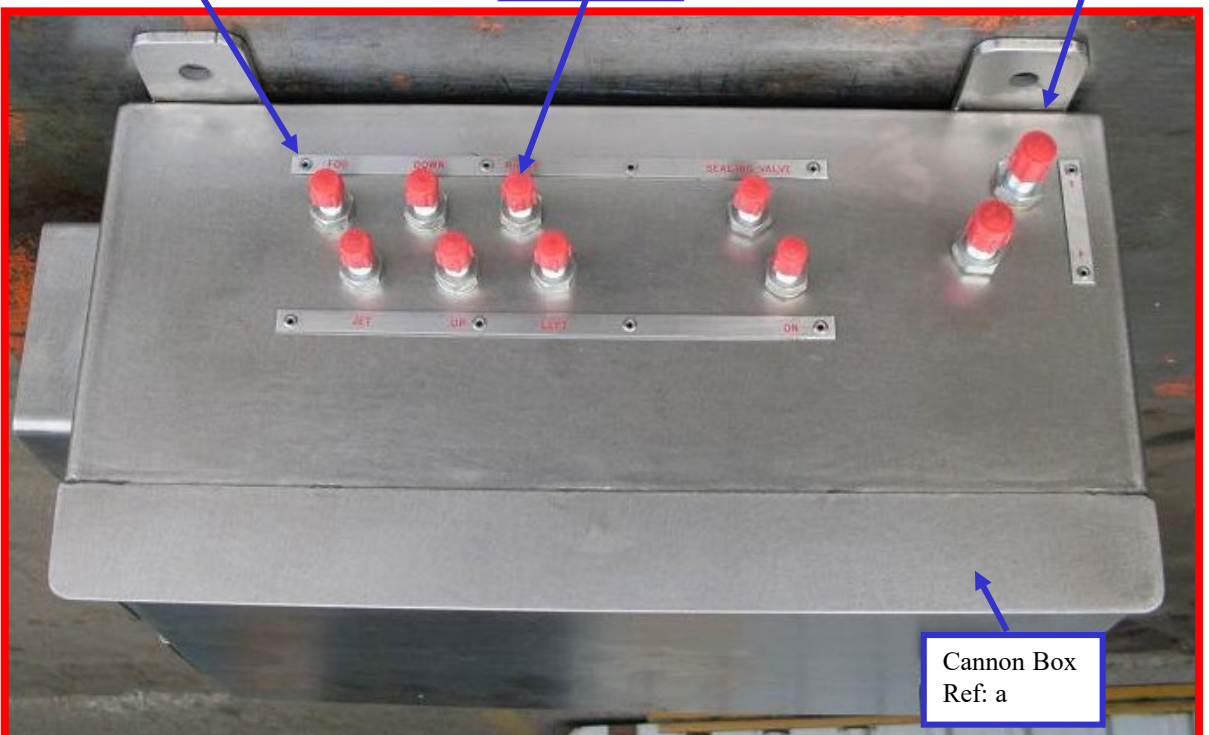
Harness bracket  
Ref: m

Pressure Reducing Valve  
Ref: q

Tag set  
Ref: n

Bulkhead x8  
Ref: o

Bulkhead x2  
Ref: p



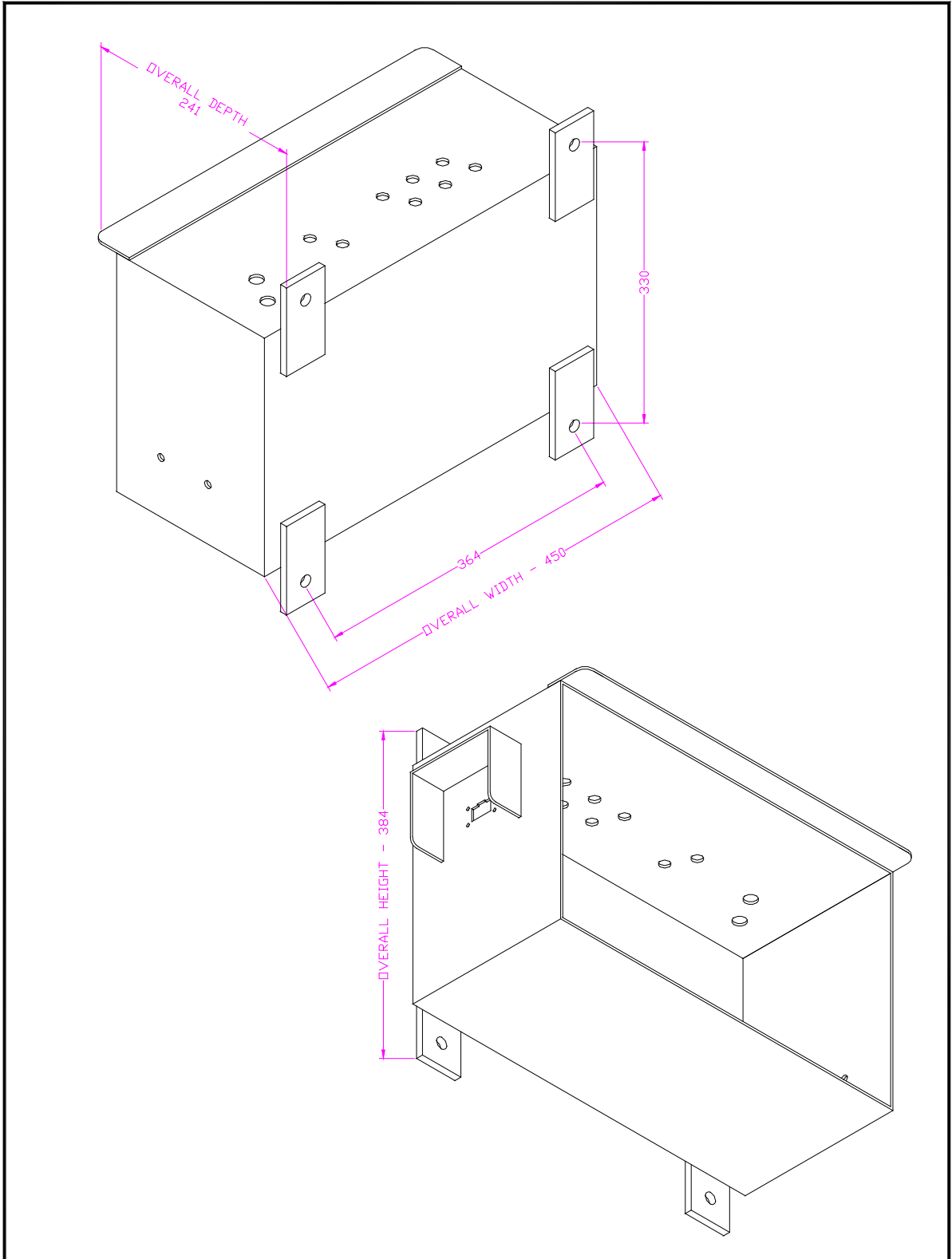
Cannon Box  
Ref: a

## 1.2.2 Component Breakdown

The following table lists the major components with their part numbers. The list only includes major components and components typically required for maintenance. If required, further component details can be provided by contacting Hyden Engineering.

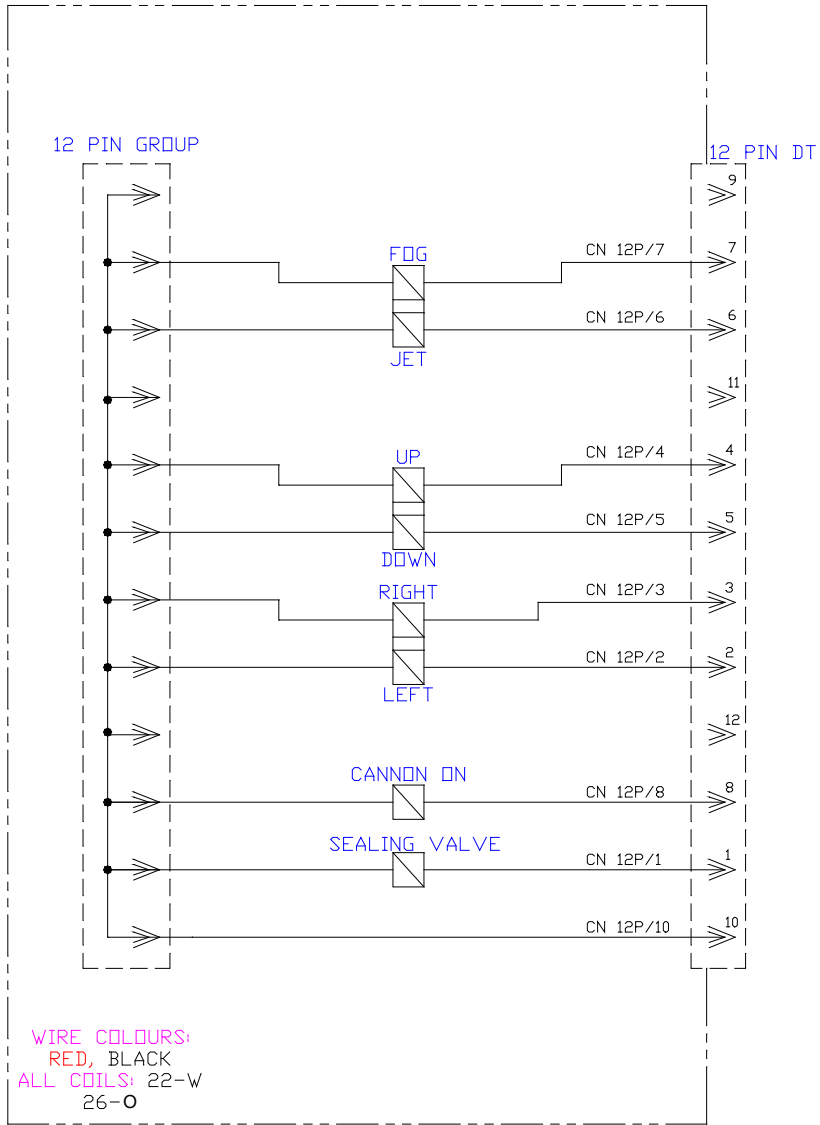
Ref	Description	Qty	Part / Assembly	Sub Component
a	Stainless steel box	1	HY-2608AAA	
b	Valve block C/W valves excluding coils	1	HYDEN540-0	
c	Valve 2 position assembly	1	HYDEN460-B	
-	Coil	1		HYDEN494-A
-	Valve 2 position	1		HYDEN498-B
d	Valve 3 position assembly	3	HYDEN460-C	
-	Coil	2		HYDEN494-A
-	Valve 3 position	1		HYDEN498-C
e	Valve sealing 2 pos. ass.	1	HYDEN460-D	
-	Coil	1		HYDEN494-A
-	Valve sealing 2 pos.	1		HYDEN498-D
f	Bleed valve	1	HYDEN232-00	
g	Test point	9	HY-1269AAA	
h	Valve bracket	1	HY-2609AAA	
i	Gauge	1	SPG063-60-1-RBU	
j	Gauge test line	1	SMS20M1-4-600A	
k	Gauge bracket	1	HY-2207ABA	
l	Electrical harness	1	HY-2610AAA	
m	Elec. harness bracket	1	HY-2404ABA	
n	Tag set ports	1	HY-2614AAA	
o	Bulkheads main	8	S10-0707	
p	Bulkheads P & T	2	S10-0909	
q	Pressure Reducing Valve	1	HYDEN461-BB	

### 1.3 Mounting Details



5																				
4																				
3																				
2																				
1																				
REV	AN No.	DATE	CHKD.	DRAWN	L.GARLAND	02/06/11														
UNLESS OTHERWISE STATED: DIMENSIONS IN MM SURFACE FINISH IN MICROMETERS										Hyden Engineering Pty.Ltd. "Commercial-in-confidence"										
LINEAR TOL: ±0.2 ANGULAR TOL: ±1'										DESCRIPTION: CANNON CONTROL BOX MOUNT. DIM										
REMOVE SHARP EDGES: 0.3 MAX.										MATERIAL: NA SCALE: 1 : 4										
										SHEET: 1 OF 1 DRAWING NUMBER: 2725AAA										
										A3										

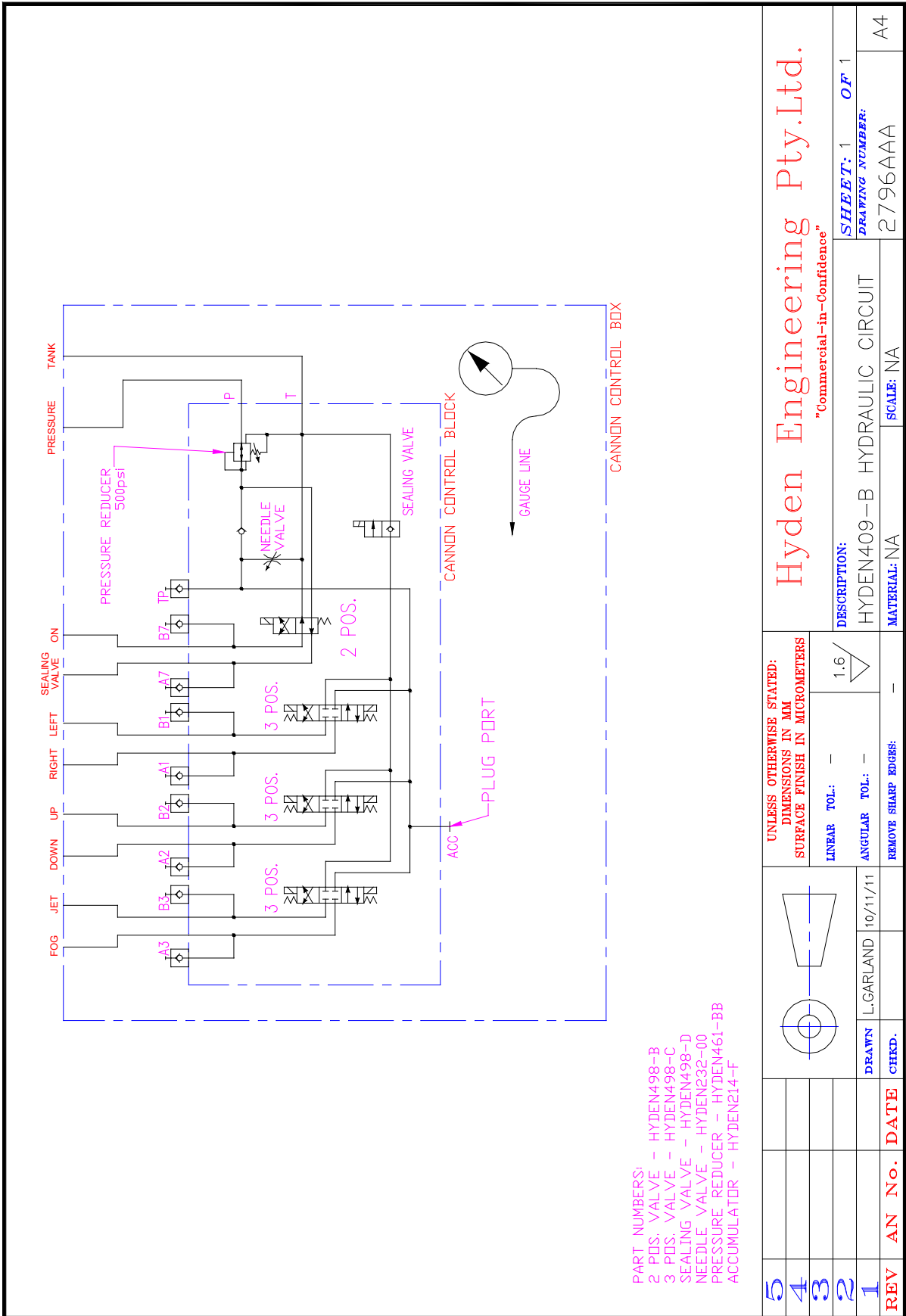
1.4 Electrical Schematic



REFER TO 'CONTROL SYSTEMS' MANUAL FOR CONTROL SYSTEMS ELECTRICAL CIRCUITS

5					UNLESS OTHERWISE STATED: DIMENSIONS IN MM SURFACE FINISH IN MICROMETERS	Hyden Engineering Pty.Ltd. "Commercial-in-confidence"					
4			LINEAR TOL: -							DESCRIPTION:	SHEET: 1 OF 1
3			ANGULAR TOL: -						✓	HYDEN409-B CANNON BOX ELEC	DRAWING NUMBER:
2			REMOVE SHARP EDGES: -							MATERIAL: -	SCALE: -
1											2732AAA
REV	AN No.	DATE	CHKD.	DRAWN	L.GARLAND	14/06/11			A3		

1.5 Hydraulic Schematic



Hyden Engineering Pty.Ltd.

"Commercial-in-Confidence"

UNLESS OTHERWISE STATED: DIMENSIONS IN MM SURFACE FINISH IN MICROMETERS		SHEET: 1 OF 1	
LINEAR TOL.: -	ANGULAR TOL.: -	DESCRIPTION: HYDEN409-B HYDRAULIC CIRCUIT	DRAWING NUMBER: 2796AAA
REMOVE SHARP EDGES: -	1.6	MATERIAL: NA	SCALE: NA
DRAWN: L.GARLAND	10/11/11		A4
REV	AN	No.	DATE