



— Innovative, Elegant & Robust Solutions —

Hyden Engineering Pty Limited
1/48 Racecourse Road
RUTHERFORD NSW 2320
Telephone: (02) 4932 0111
Facsimile: (02) 4932 0222
E-mail: hyden@hydeneng.com.au

ABN: 17 129 010 902

ENVIROSPRAY Component Manual

Manual Number: 06500982C

Manual Date: December 2012

ENVIROSPRAY®

Spray Box HYDEN391-E



Contents

Reference Number	Topic	Page Number
1	Spray Box HYDEN391-E	3
1.1	Description	3
1.2	Components	3
1.2.1	Component Identification	3
1.2.2	Component Breakdown	5
1.3	Mounting Details	6
1.4	Electrical Schematic	7
1.5	Hydraulic Schematic	8

1 Spray Box HYDEN391-E

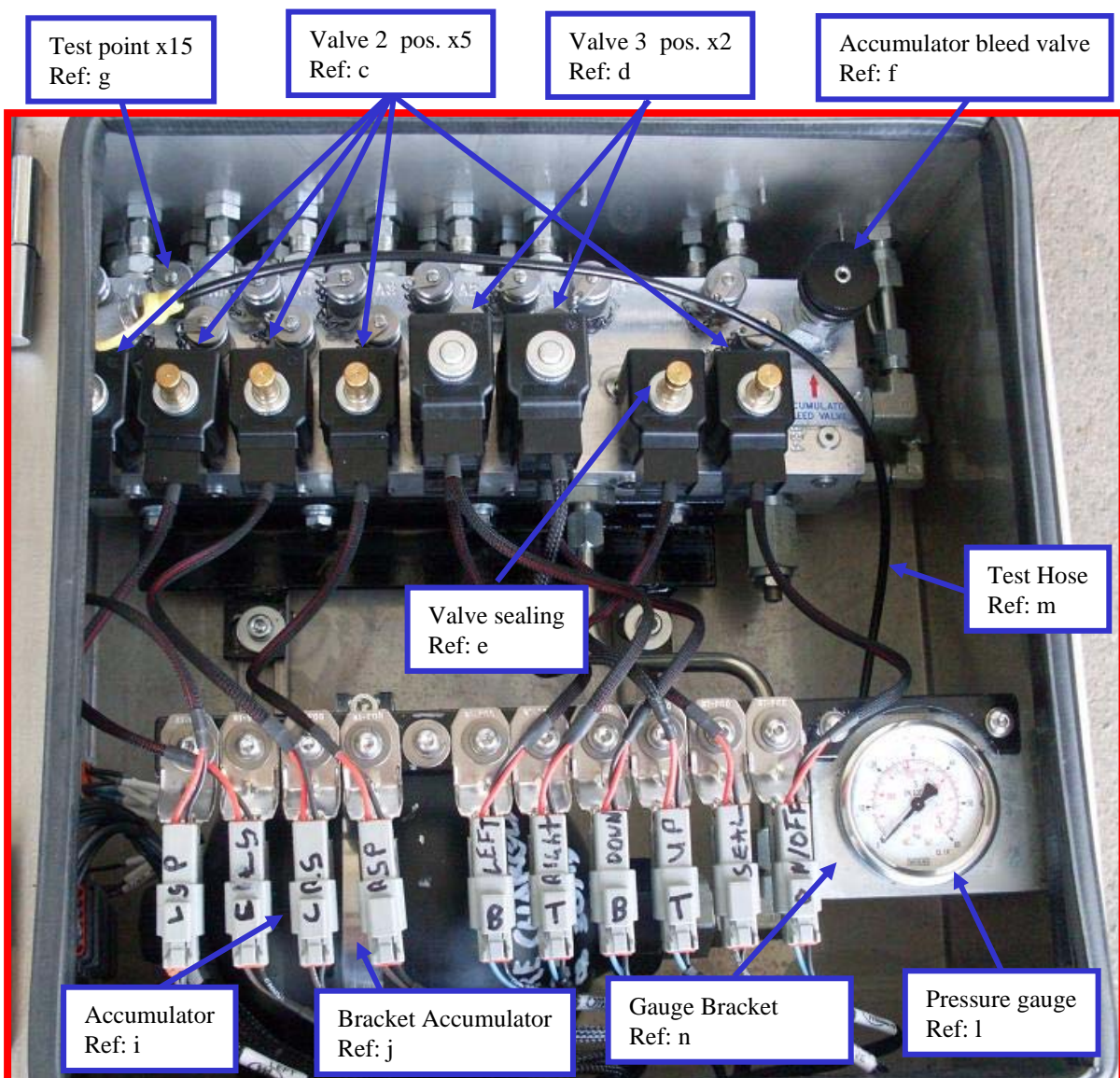
1.1 Description

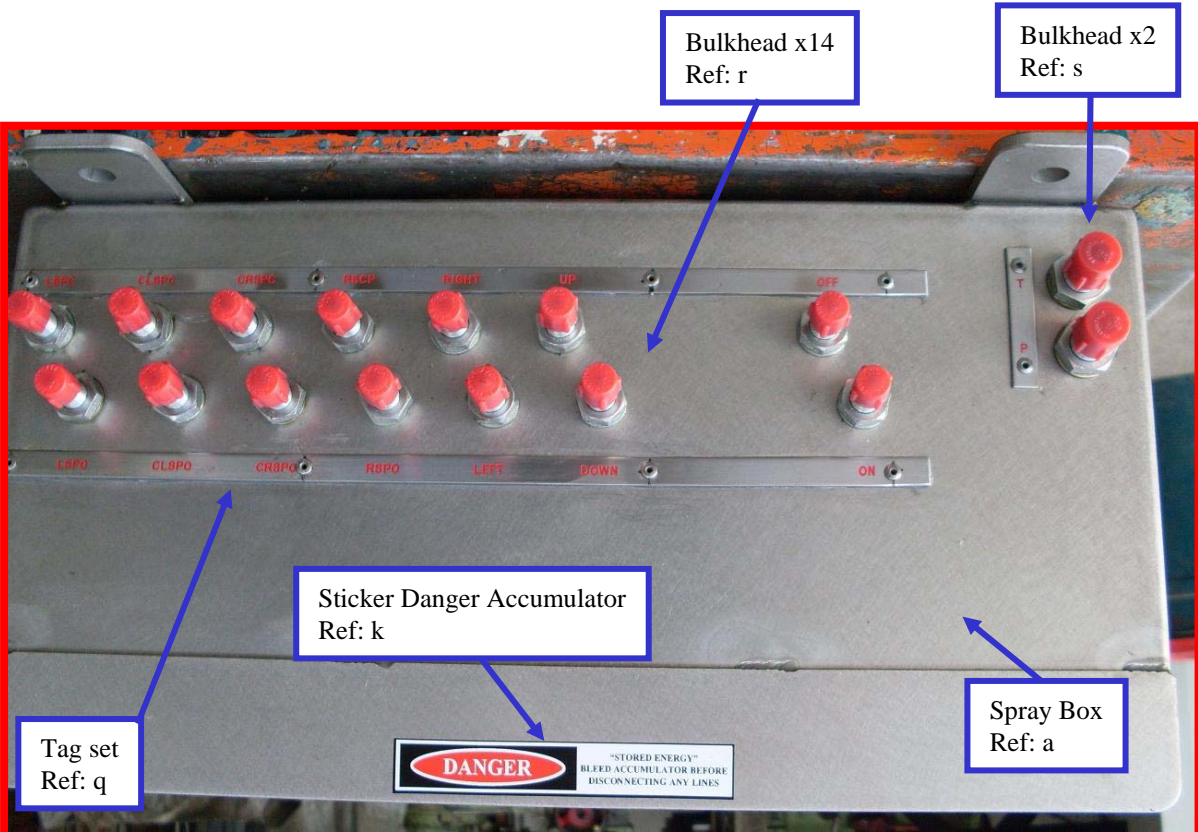
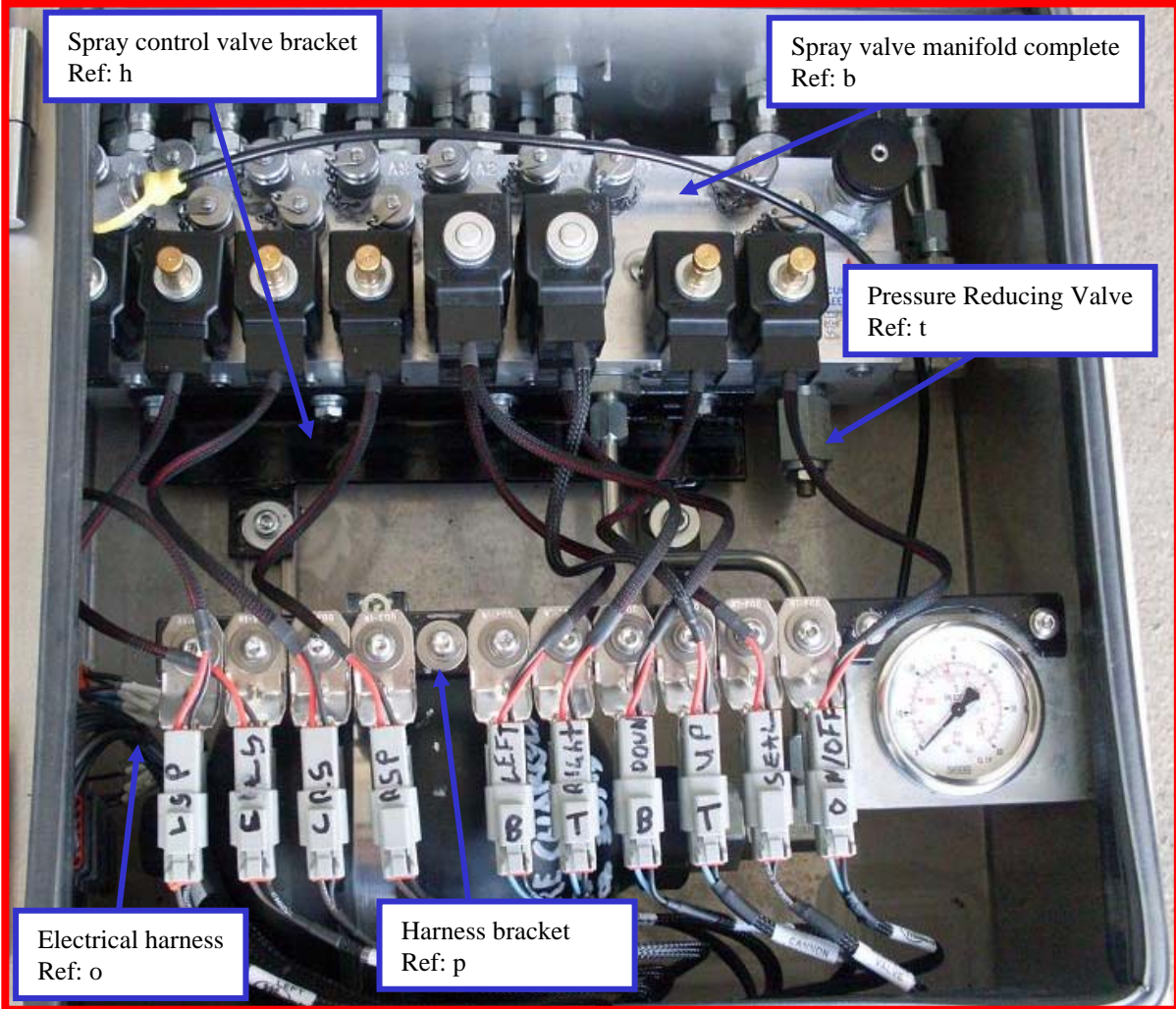
The Enviro-spray™ HYDEN391-E spray box controls 4 spray heads and a cannon where fitted. Through valving orientation multiple boxes and cannons (one per box) may be run simultaneously from a single joystick, with the joystick only moving the selected cannon. The system utilizes poppet technology to ensure that accumulator pressure is maintained for prolonged periods in standby mode preventing the leakage that normally occurs when a machine is parked up overnight or for longer periods with a full tank of water.

1.2 Components

1.2.1 Component Identification

The following picture illustrates the components found inside the HYDEN391-E spray box. Identified are the major components and service type components within the assembly. Part numbers for these components can be found in section 1.2.2 using the references listed below.



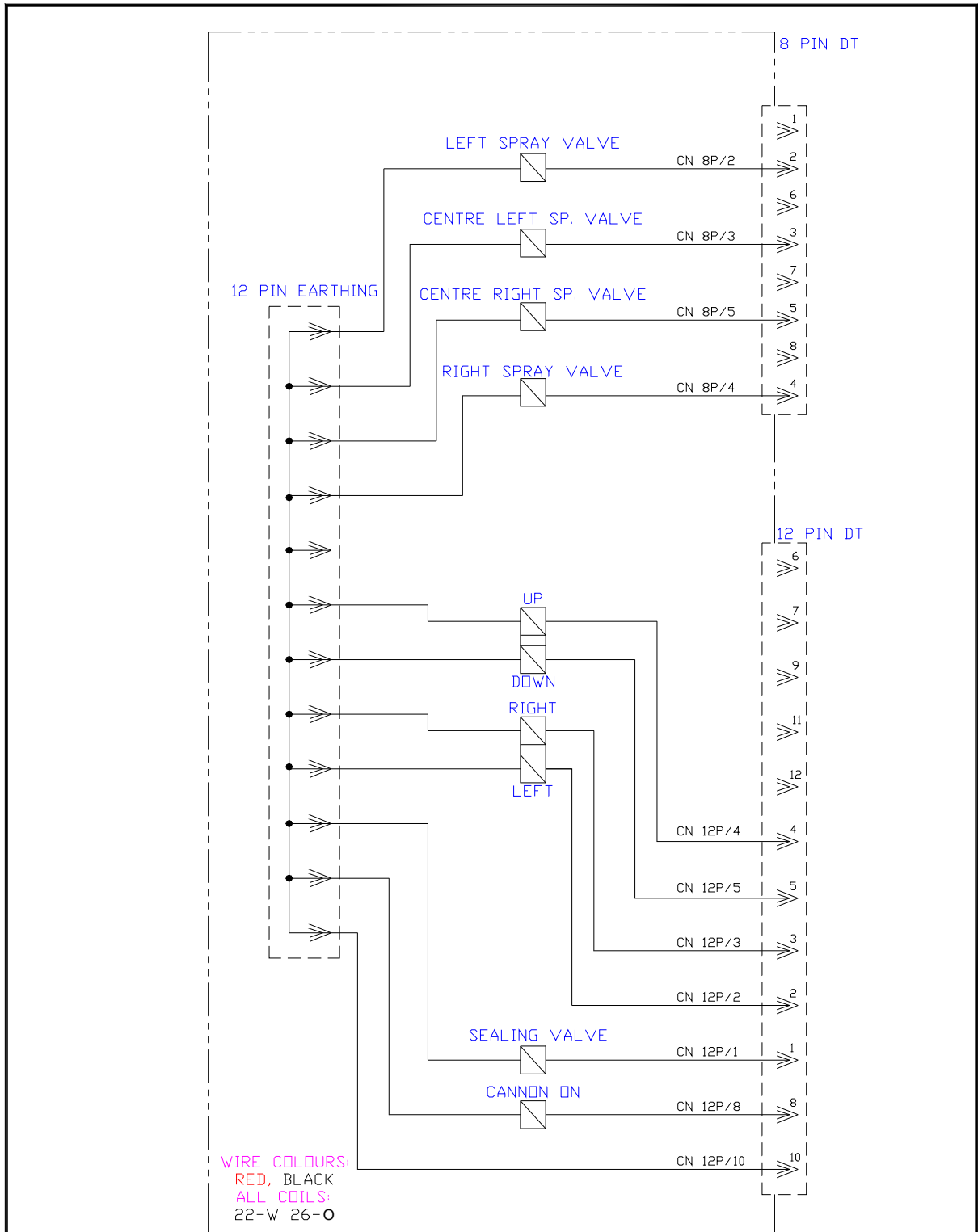


1.2.2 Component Breakdown

The following table lists the major components with their part numbers. The list only includes major components and components typically required for maintenance. If required, further component details can be provided by contacting Hyden Engineering.

Ref	Description	Qty	Part / Assembly	Sub Component
a	Stainless steel box	1	HY-1944ACG	
b	Spray valve block C/W solenoid valves etc excluding coils	1	HYDEN455-0	
c	Valve 2 position assembly	5	HYDEN460-B	
-	Coil	1		HYDEN494-A
-	Valve 2 position	1		HYDEN498-B
d	Valve 3 position assembly	2	HYDEN460-C	
-	Coil	2		HYDEN494-A
-	Valve 3 position	1		HYDEN498-C
e	Valve sealing 2 pos. ass.	1	HYDEN460-D	
-	Coil	1		HYDEN494-A
-	Valve sealing 2 pos.	1		HYDEN498-D
f	Bleed valve	1	HYDEN232-00	
g	Test point	15	HY-1269AAA	
h	Spray valve bracket	1	HY-2203AAB	
i	Accumulator 2L	1	HYDEN214-F	
j	Accumulator bracket	1	HYDEN215-A	
k	Sticker accum. danger	1	HY-2014AAA	
l	Gauge	1	SPG063-60-1-RBU	
m	Gauge test line	1	SMS20M1-4-600A	
n	Gauge bracket	1	HY-2207ABA	
o	Electrical harness	1	HY-2685AAA	
p	Elec. harness bracket	1	HY-2404ABA	
q	Tag set ports	1	HY-2696AAA	
r	Bulkheads main	14	S10-0707	
s	Bulkheads P & T	2	S10-0909	
t	Pressure Reducing Valve	1	HYDEN461-BB	

1.4 Electrical Schematic



REFER TO 'CONTROL SYSTEMS' MANUAL FOR CONTROL SYSTEMS ELECTRICAL CIRCUITS

5					UNLESS OTHERWISE STATED: DIMENSIONS IN MM SURFACE FINISH IN MICROMETERS	Hyden Engineering Pty.Ltd. "Commercial-in-confidence"		DESCRIPTION: HYDEN391-E SPRAY BOX ELEC CCT	SHEET: 1 OF 1 DRAWING NUMBER: 2730AAA				
4													
3													
2													
1													
REV	AN No.	DATE	CHKD.	DRAWN	L.GARLAND	14/06/11	ANGULAR TOL:		MATERIAL:		SCALE:		A3

